

WPS4 PLUS

Waffle Pack Feeder



Load or unload stacks full of product without interrupting production

The Quasys WPS4 is the automation solution for waffle pack feeding. Load and unload stacks of up to 35 waffle packs without interrupting the assembly equipment.

- **Dramatically increase throughput by automatically delivering trays non-stop**
- **Low cost of ownership**
- **Tray exchange in less than 5 seconds**
- **Compact Footprint** - occupies less than 142 mm of feeder rail space
- **Microprocessor controlled**
- **CE approved**

Easily integrate with your machine:

SMT Assembly Equipment
Singulation Equipment
Device Programmers
Test Handlers

Die Bonders
Inspection Equipment
Custom Automation

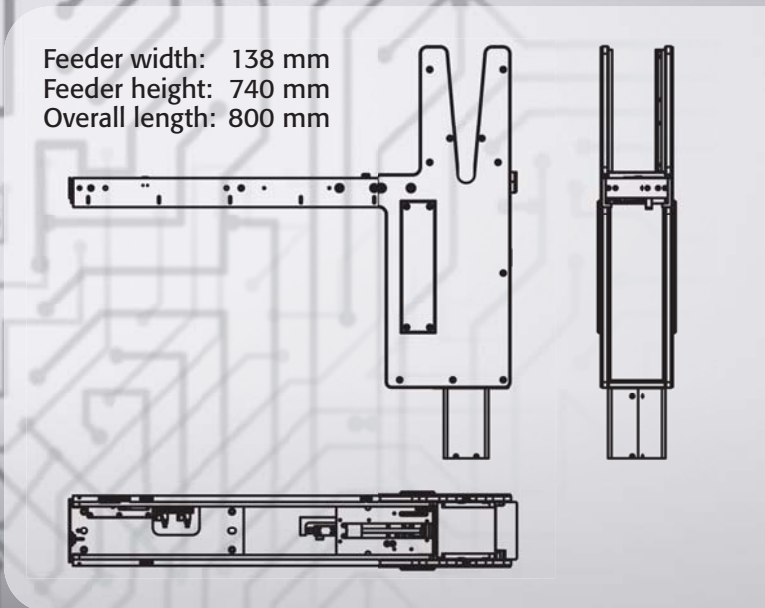


WPS4 PLUS

Waffle Pack Feeder

Technical Specification

Capacity	35x 4" Waffle Packs
Speed	Exchange < 5 -7 seconds for most applications
Position Accuracy	Edge of tray repeatable to 0.05 mm
Flexibility	Microprocessor controlled Adjustable conveyor speed
Standards Compliance	SEMI S2 & S8 NFPA 70 & 79 CE
Electrical	24 VDC +/- 10 % 2 Amps (peak), 1.0 [A] continuous
Communication Signals	dIO, RS232, RS485, Ethernet UDP and TCP/IP, Vcom, SMEMA
Pneumatic	4.1 - 5.5 Bars (60 - 80 Psi) 28.3 Liters/Minute (1 SCFM)
Weight	17 kg
Environment	10 – 35°C / 10 – 90 % R.H.



QUASYS AG

Rothusstrasse 5a
CH-6331 Hünenberg
Switzerland
sales@quasys.ch

www.quasys.ch

Asia

Auleetech Singapore
Oliver Ackermann
+65 6247 5157
oliver.ackermann@
auleetech.com

USA East

trayfeeders.com
Concord NH
Neil Burt
+1 603 227 5240
info@trayfeeders.com

USA West

Bentleadtools
San Jose CA
Bob Santora
+1 (408) 592 5259
bob@bentleadtools.com